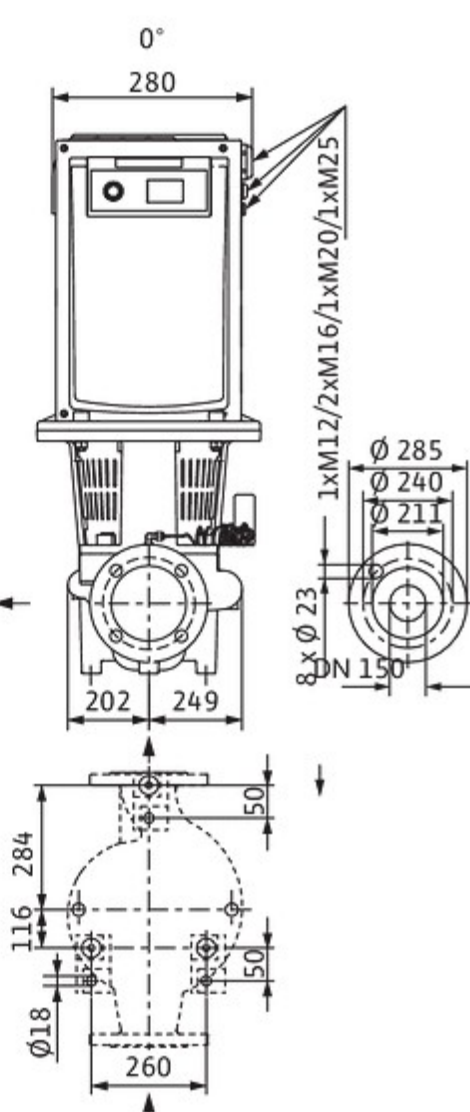


3 x M16 x 25



0°

1 x M12/2 x M16/1 x M20/1 x M25

$\varnothing 285$
 $\varnothing 240$
 $\varnothing 211$
8 x $\varnothing 23$
DN 150

284
116
 $\varnothing 18$
260
50
50